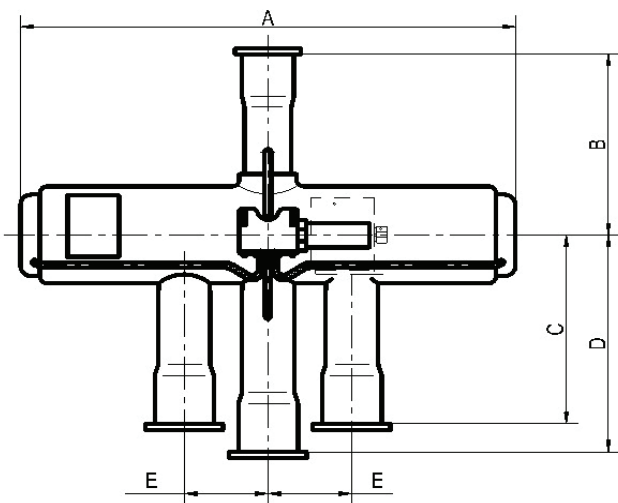
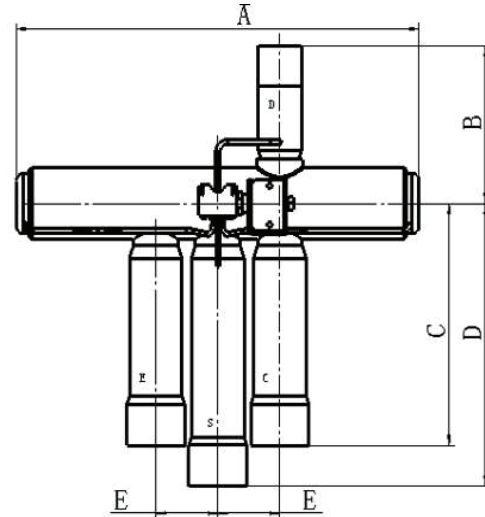


Reversing Valve | Ranco to Sanhua Cross Reference



Sketch 1

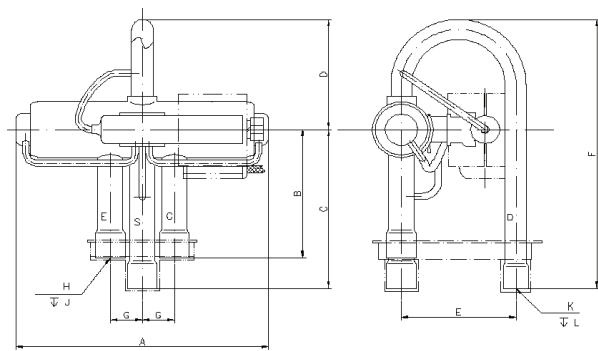


Sketch 2

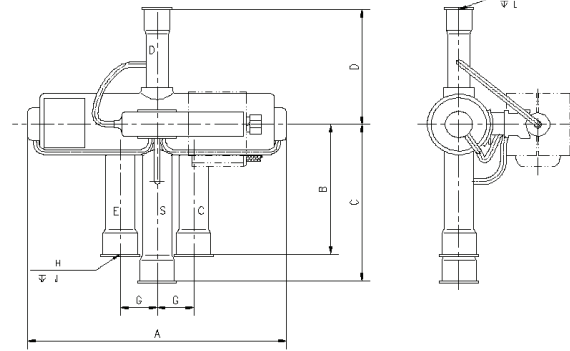
Brand and Model		Sketch (1 or 2)	Dimensions (in)				
			A	B	C	D	E
RANCO	V6-412080-1xx	1	7.83	2.63	3.25	3.75	1.12
SANHUA	SHF-20D-46		7.23	2.64	3.27	3.74	1.13
RANCO	V6-414080-1xx	1	7.83	2.63	3.25	3.75	1.12
SANHUA	SHF-20D-47		7.23	2.64	3.27	3.74	1.13
RANCO	V6-414120-1xx	1	7.83	2.63	3.25	3.75	1.12
SANHUA	SHF-20D-67		7.23	2.64	3.27	3.74	1.13
RANCO	V6-4140K1-1TC	1	7.83	2.63	3.25	3.75	1.12
SANHUA	SHF-20D-57		7.23	2.64	3.27	3.74	1.13
RANCO	V10-414080-1xx	1	8.30	3.22	3.38	3.88	1.32
SANHUA	SHF-35B-47		8.35	3.23	3.43	3.94	1.30
RANCO	V10-414101-2xx	1	8.30	3.22	3.38	3.88	1.32
SANHUA	SHF-35B-57		8.35	3.23	3.43	3.94	1.30
RANCO	V10-414120-1xx	1	8.30	3.22	3.38	3.88	1.32
SANHUA	SHF-35B-67		8.35	3.23	3.43	3.94	1.30
RANCO	V10-414140-4xx	1	8.30	3.22	3.38	3.88	1.32
SANHUA	SHF-35B-77		8.35	3.23	3.43	3.94	1.30
RANCO	V10-418101-1xx	1	8.30	3.22	3.38	3.88	1.32
SANHUA	SHF-35B-59		8.35	3.23	3.43	3.94	1.30
RANCO	V10-418101-2xx	1	8.30	3.22	3.38	3.88	1.32
SANHUA	SHF-35B-59		8.35	3.23	3.43	3.94	1.30
RANCO	V10-418140-1xx	1	8.30	3.22	3.38	3.88	1.32
SANHUA	SHF-35B-79		8.35	3.23	3.43	3.94	1.30
RANCO	V10-418140-1xx	1	8.30	3.22	3.38	3.88	1.32
SANHUA	SHF-35B-79		8.35	3.23	3.43	3.94	1.30
RANCO	V12-4220T0-2xx	2	10.6	3.81	5.90	6.90	1.63
SANHUA	SHF-50-911D2		10.6	3.82	5.87	6.85	1.63

* Ranco and Sanhua are brands owned and produced by Sanhua

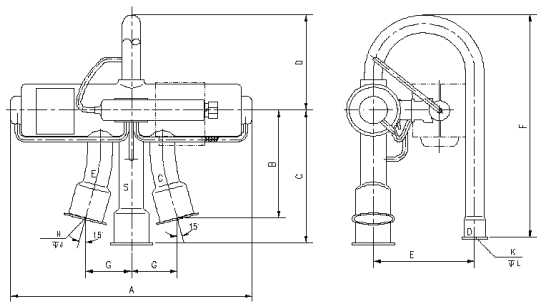
Reversing Valve | Ranco to Sanhua Cross Reference



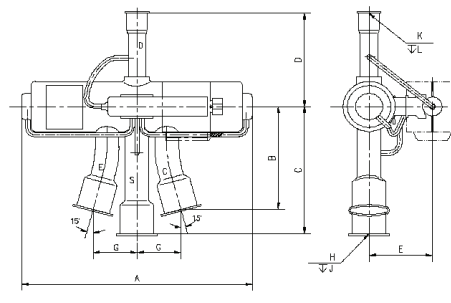
Sketch 1



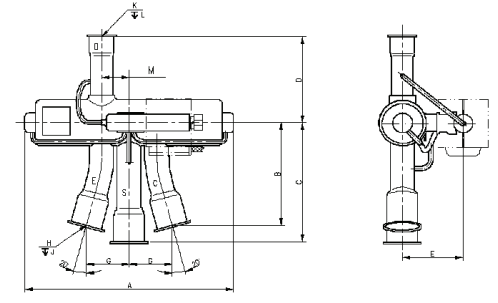
Sketch 2



Sketch 3



Sketch 4



Sketch 5

Brand and Model		Sketch (1 - 5)	Dimensions (in)											
			A	B	C	D	E	F	G	H	J	K	L	M
RANCO	V0-406050-1xx	1	4.06	1.97	2.44	1.59	1.65	-	0.47	0.38	0.38	0.32	0.33	-
SANHUA	SHF(L)-4H-23U-L1		3.72	1.97	2.44	1.69	1.69	4.13	0.47	0.38	0.37	0.32	0.33	-
RANCO	V1-406060-2xx	1	5.04	2.32	2.81	2.05	2.07	-	0.63	0.38	0.38	0.38	0.38	-
SANHUA	SHF(L)-4H-23U-L1		3.72	1.97	2.44	1.69	1.69	4.13	0.47	0.38	0.37	0.32	0.33	-
RANCO	V2-408060-1xx	2	5.04	2.32	2.81	1.94	-	-	0.63	0.51	0.38	0.38	0.38	-
SANHUA	SHF(L)-7H-34-L1		4.45	2.32	2.80	2.05	-	-	0.63	0.50	0.37	0.38	0.39	-
RANCO	V2-408060-2xx	1	5.04	2.32	2.81	2.05	2.07	-	0.63	0.51	0.38	0.38	0.38	-
SANHUA	SHF(L)-7H-34U-L1		4.45	2.32	2.80	2.01	2.05	4.69	0.63	0.50	0.37	0.38	0.37	-
RANCO	V2-410060-3xx	4	5.04	2.26	2.81	1.94	1.46	-	0.93	0.63	0.63	0.38	0.38	-
SANHUA	SHF(L)-7H-35-L1		4.45	2.24	2.83	2.05	1.34	-	0.93	0.63	0.63	0.38	0.39	-
RANCO	V2-410060-4xx	3	5.04	2.26	2.81	2.05	2.07	-	0.93	0.63	0.63	0.38	0.38	-
SANHUA	SHF(L)-7H-35U-L1		4.45	2.24	2.83	2.01	2.65	4.69	0.93	0.63	0.63	0.38	0.37	-
RANCO	V2-410080-3xx	4	5.04	2.26	2.81	1.94	1.46	-	0.93	0.63	0.63	0.51	0.38	-
SANHUA	SHF(L)-7H-45-L1		4.45	2.24	2.83	2.05	1.34	-	0.93	0.63	0.63	0.50	0.39	-
RANCO	V3-410080-7xx	5	5.04	2.38	2.82	1.94	1.46	-	0.95	0.63	0.62	0.51	0.38	0.63
SANHUA	SHF(L)-11H-45D1-01		4.61	2.44	2.83	2.05	1.34	-	0.98	0.63	0.67	0.50	0.39	0.63
RANCO	V3-412080-8xx	5	5.04	3.25	3.45	1.94	1.46	-	1.28	0.76	0.75	0.51	0.38	0.63
SANHUA	SHF(L)-11H-46D1-01		4.61	3.23	3.43	2.05	1.34	-	1.28	0.76	0.75	0.50	0.39	0.63

* Ranco and Sanhua are brands owned and produced by Sanhua